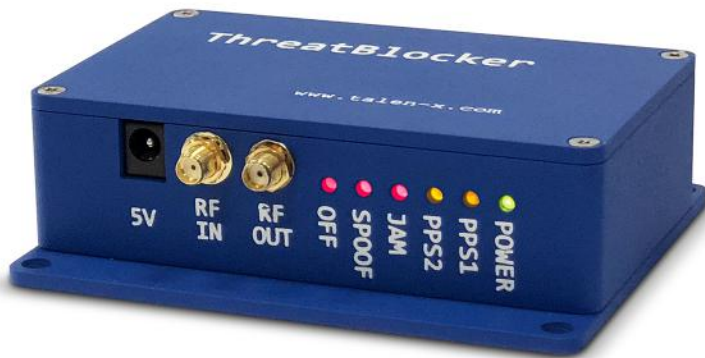


THREATBLOCKER

GPS JAMMING + SPOOFING PROTECTION DEVICE



THE SOLUTION

ThreatBlocker was jointly developed by Talen-X and The Aerospace Corporation, leveraging Talen-X's BroadShield software for jamming and spoofing detection and Aerospace's Blind Interference Signal Suppression (BLISS) algorithms for jamming suppression. As a system, ThreatBlocker provides ultimate protection.

WHAT IS BROADSHIELD?

Over 75 algorithms that detect when jamming and spoofing are present in the environment.

WHAT IS BLISS?

A digital processing technique to suppress jamming signals.

WHY USE THEM TOGETHER?

When paired together, these two technologies produce a formidable deterrent to interference. When BroadShield detects jamming, BLISS algorithms are enabled. When BroadShield detects spoofing, the system is alerted to cut RF from passing downstream. This protects downstream receivers from processing deceptive signals.

IDEAL APPLICATIONS

- o Critical infrastructure locations requiring anti-jam with a single antenna (FRPA)
- o Protection from Personal Privacy Device (PPD) jammers
- o In-line jamming and spoofing protection (ground, air, sea)

29 November, 2018 - ThreatBlocker | Revision 3 | © 2018 Talen-X

The goods, products and services incorporate technology based on intellectual property, technology and know-how developed by and licensed from The Aerospace Corporation in which the United States Government may have certain rights.

THE PROBLEM



It is known that GPS disruptions can affect various networks, the ability to perform a mission, or critical infrastructure



The ability to access trusted PNT data is becoming more and more critical



Threats are becoming more advanced and also more readily available



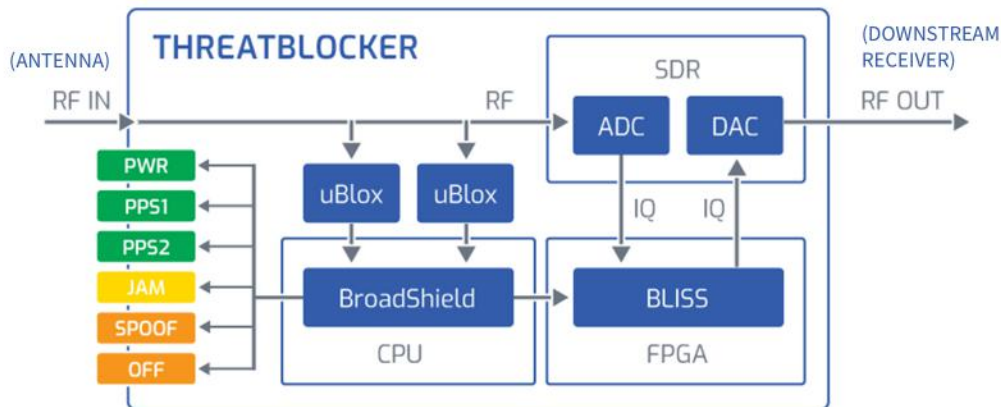
Some solutions have entered the market but they often require a completely new set of hardware which could require months of new system integration. Some application may only work with existing legacy technology.

TALEN-X
COMMUNICATE - NAVIGATE - EXCEL

WEBSITE
www.talen-x.com

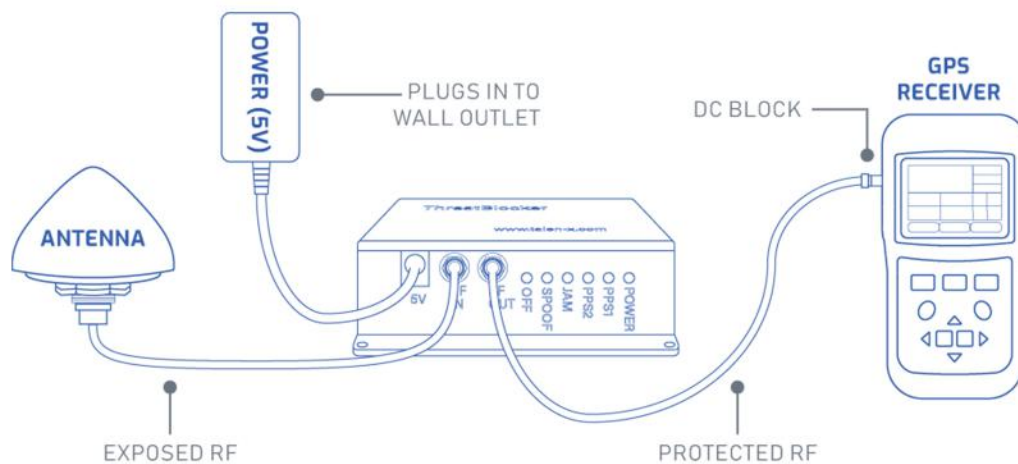
CONTACT
sales@talen-x.com

*Revolutionizing The Way
You Work With PNT.*



IN-LINE CONFIGURATION

ThreatBlocker is designed to be installed in-line with your existing hardware in between a Fixed Radiation Pattern Antenna (FRPA) and the GNSS receiver/system. ThreatBlocker only requires a 5V power input to be operational. The system has LED status indicators for real-time awareness however, the system is designed to be a set-it and forget-it protection unit.



REAL-WORLD RESULTS

Shown to the right are actual results from recent testing done in a real-world Over-The-Air environment, in which ThreatBlocker successfully detected and suppressed jamming signals. Impressively, a vehicle protected with ThreatBlocker was able to navigate for 30km more than without.

